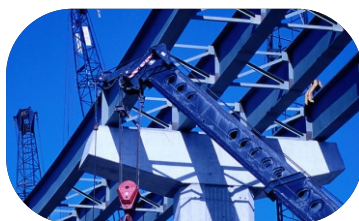


FRECON



FR500A&FR510A Series Vector Control Inverter



FRECON ELECTRIC (SHENZHEN) CO.,LTD.



Overview

FR500A series is a high performance, high quality, high power density design, new generation inverter of FRECON, which is Mainly for OEM customers of the mid-high market and for applications such as fan and pump, flexible design, embedded SVC and VF control, widely used in the applications with higher requirements, such as the speed control accuracy and torque response speed, low frequency output characteristics.

Based on FR500A series, FR510A series adds the following functions:

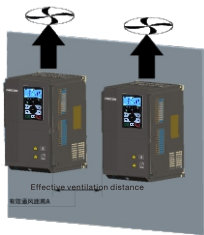
- Support synchronous motor
- Support multiple PG cards
- Support position control such as spindle orientation, pulse follow, zero servo.
- Support two groups of motor parameters

New Technology Platform, Large Surplus Derating Design

- Adopt Infineon new generation of IGBT hardware platform, with higher configuration and large surplus derating design

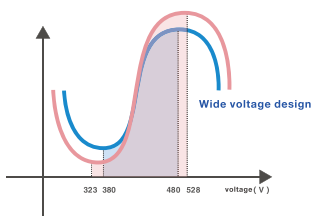
Independent Air Duct

- The independent air duct design, can effectively prevent the dust from entering the inverter and causing the fault of short circuit, improve the reliability
- Select the long-life and max air flow rate cooling fans, effectively reduce inverter temperature rise, ensure reliable and stable operation



Wide Range Voltage Input with International Standards

- Rated voltage: 3 phase 380-480V, 50Hz/60Hz
- Voltage fluctuation range: 325-528V, 50Hz/60Hz

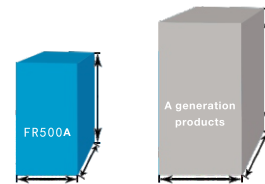


Comprehensive protection functions

- FR500A and FR510A series have comprehensive protection functions such as output to ground short circuit protection, fan drive circuit protection, external 24VDC short circuit protection, motor overload protection, optional PT100 / PT1000 motor temperature protection function, etc.
- According to the severity of the fault type, it can be selected as pre-warning, fault stop and continuous operation, it is convenient for maintenance

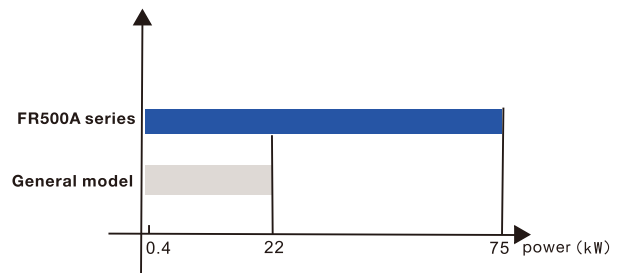
Optimized Structural Design, Leading Technology Platform

- Compare with previous generation products of the same power, the size of FR500A series is smaller, greatly saves the installation space, it's convenient to layout the electronic control device; maximum installation area reduced by 50%, volume reduced by 60%.



Perfect Brake Circuit Scheme

- Strong braking ability: The short-time braking ability can reach 1.1-1.4 times of inverter's rated power
- Brake protection is more comprehensive and intelligent



- General model: 0.4 ~ 22 kw built-in brake unit
- FR500A series: Below 37 kw (including 37 kw), built-in brake unit. 45 kw ~ 75 kw built-in brake unit is optional

Strong Overload Ability

- Heavy load overload capacity:
 - 150% of rated load can keep 1 min
 - 180% of rated load can keep 10 s
 - 200% of rated load can keep 1 s

Excellent Performance

- High-start torque characteristic
- 0.5Hz can provide 150% start torque (Sensor-less vector control 1)
- 0.25Hz can provide 150% start torque (Sensor-less vector control 2)
- Sensorless vector control can reduce susceptibility of motor parameter, improve the field adaptability

Flexible and Diversified Terminal Functions

- Multi-function terminal DI, DO, AO with a variety of logic functions for selection
- AI terminal can be used as multi-function DI terminal
- Built-in multi-group virtual DI and DO function selection to reduce external DI/DO wiring
- Support high-speed pulse input and output, up to 100 KHZ

Built-in self-adaptive PID function module

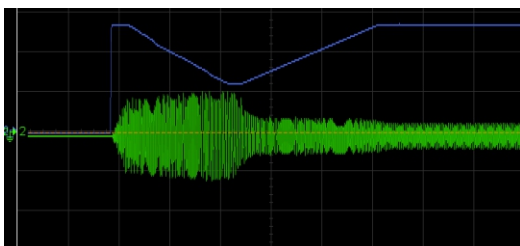
- Built-in two groups of PID parameters , which can automatically switch according to the deviation, DI terminal and frequency conditions
- Given and feedback source selection is various, practical
- Detect function of PID feedback loss , which is convenient for user to detect faults
- Support dormancy and wake up function, can be switched according to the frequency and pressure

V/F fully separated and semi-separated Operation

- Automatically compensate by voltage when overload, realize output voltage constant and meet the application requirements of power supply industry

Speed Tracking Function

- In the case of fast start, the inverter can make the motor to start smoothly according to the current operation direction and speed of the motor



Speed tracking output frequency and current waveform

Multiple Communication Expansion Card

- Support PROFIBUS, CAN, GPRS DTU and other communications

Match a Variety Of Encoder (FR510A)

- Support the OC, push-pull, difference, EN1313, U/V/W rotating transformer and other kinds of encoder

Convenient Debugging

- Strong back ground software



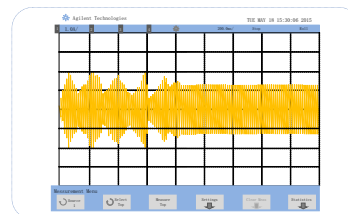
- Specialized upload and download module, convenient parameter debugging and backup
- According to the industry demand, develop a dedicated application macro

The Unique Dead Zone Compensation

- Ensure torque output smoothly under the low frequency

Oscillation Suppression Function

- When detected motor oscillation, automatic trimming output voltage and frequency make motor running smoothly



Oscillation suppression waveform

CE Certification

- The drive comply with the directive requirements of the 'New method of technical coordination and standardization' in EU

Nameplate

FR500A – 4 T -7.5G/011PB

Vector Control Inverters Series

FR500A series high performance vector control inverter
FR510A series close-loop vector control inverter

Input Voltage Level

2:220V(-15%~+20%)
4:380V(-15%~+30%)

Brake unit

B: Built-in brake unit

Adaptable Motor (KW)and Type of Motor

7.5G:7.5kw(General type)
011P:11kw(Fan pump type)

Input Voltage Phase

S:Single phase
T:Three phase

Electric Specification

| Model No. | Power Capacity KVA | Rated Input Current A | Rated Output Current A | Applicable Motor | |
|--|-----------------------|-----------------------------|------------------------------|------------------|-----|
| | | | | kW | HP |
| 3-Phase :380V , 50/60Hz Range: -15% ~ +30% | | | | | |
| FR500-4T-0.7G/1.5PB-H | 1.5 | 3.4 | 2.5 | 0.75 | 1 |
| FR500-4T-1.5G/2.2PB-H | 3 | 5.0 | 4.2 | 1.5 | 2 |
| FR500-4T-2.2G/4.0PB-H | 4 | 5.8 | 5.5 | 2.2 | 3 |
| FR500A-4T-4.0G/5.5PB-H | 6 | 11 | 9.5 | 3.7 、 4 | 5 |
| FR500A-4T-5.5G/7.5PB-H | 8.9 | 14.6 | 13 | 5.5 | 7.5 |
| FR500A-4T-7.5G/011PB-H | 11 | 20.5 | 17 | 7.5 | 10 |
| FR500A-4T-011G/015PB-H | 17 | 26 | 25 | 11 | 15 |
| FR500A-4T-015G/018PB-H | 21 | 35 | 32 | 15 | 20 |
| FR500A-4T-018G/022PB-H | 24 | 38.5 | 37 | 18.5 | 25 |
| FR500A-4T-022G/030PB-H | 30 | 46.5 | 45 | 22 | 30 |
| FR500A-4T-030G/037PB-H | 40 | 62 | 60 | 30 | 40 |
| FR500A-4T-037G/045PB-H | 57 | 76 | 75 | 37 | 50 |
| FR500A-4T-045G/055P(B) -H | 69 | 92 | 91 | 45 | 60 |
| FR500A-4T-055G/075P(B) -H | 85 | 113 | 112 | 55 | 70 |
| FR500A-4T-075G/090P(B) -H | 114 | 157 | 150 | 75 | 100 |
| FR500A-4T-090G/110P(B) -H | 134 | 186 | 176 | 90 | 125 |
| FR500A-4T-110G/132P-H | 160 | 220 | 210 | 110 | 150 |
| FR500A-4T-132G/160P-H | 192 | 260 | 253 | 132 | 175 |
| FR500A-4T-160G/185P-H | 231 | 310 | 304 | 160 | 210 |
| FR500A-4T-185G/200P-H | 240 | 355 | 350 | 185 | 250 |
| FR500A-4T-200G/220P-H | 250 | 382 | 377 | 200 | 260 |
| FR500A-4T-220G/250P-H | 280 | 430 | 426 | 220 | 300 |
| FR500A-4T-250G/280P-H | 355 | 475 | 470 | 250 | 330 |
| FR500A-4T-280G/315P-H | 396 | 535 | 520 | 280 | 370 |
| FR500A-4T-315G/355P-H | 445 | 610 | 600 | 315 | 420 |
| FR500A-4T-355G/400P-H | 500 | 665 | 650 | 355 | 470 |
| FR500A-4T-400G/450P-H | 565 | 690 | 725 | 400 | 530 |
| FR500A-4T-450G/500P-H | 623 | 765 | 800 | 450 | 600 |
| FR500A-4T-500G/560P-H | 670 | 835 | 860 | 500 | 660 |
| FR500A-4T-560G/630P-H | 770 | 960 | 990 | 560 | 750 |

Note: 1. (B) Built-in brake unit is optional

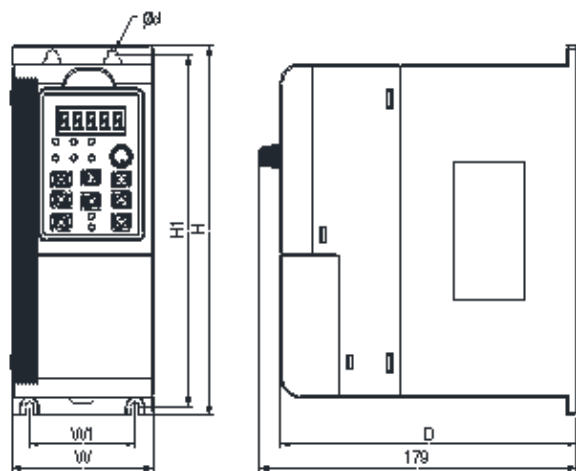
2. For FR510A series model number, just need to replace FR500A to FR510A

Technical Parameters

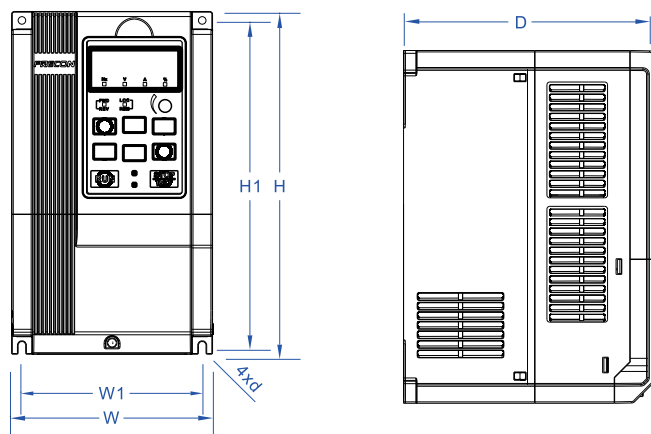
| | | Specification | |
|--------------------------------|---|--|---|
| Item | | FR500A series | FR510A series |
| Power Input | Rated Input Voltage(V) | 3 Phase 380v(-15%~+30%) | |
| | Rated Input Frequency(Hz) | 50Hz/60Hz,±5% | |
| Power Output | Rated Output Voltage(V) | 0V~Uin,Error<±3% | |
| | Rated Output Frequency(Hz) | 0.00~600.00Hz;Unit:0.01Hz | |
| Load | Types Of Motor | Single-phase asynchronous motor, Three-phase asynchronous motor | Single-phase asynchronous motor,Three-phase asynchronous motor,Three-phase permanent magnet synchronous motor |
| | Control Mode | Speed, torque | Speed, torque , position |
| | Motor Parameters | 1 Group | 2 Groups |
| Control Characteristics | Control Mode | V/F Control Sensor-less Vector Control 1 Sensor-less Vector Control 2 | V/F Control Sensor-less Vector Control 1 Sensor-less Vector Control 2 Close-loop Vector Control |
| | Speed Range | 1:50(V/F Control), 1:100(Sensor-less Vector Control 1) 1:200(Sensor-less Vector Control 2) 1:1000(Close-loop Vector Control) | |
| | Speed Control Precision | ±0.5%(V/F Control), ±0.2%(Sensor-less Vector Control 1 & 2) ±0.1%(Close-loop Vector Control) | |
| | Speed Fluctuation | ±0.3%(Sensor-less Vector Control 1 & 2) ±0.1%(Close-loop Vector Control) | |
| | Torque Response | 10ms(Sensor-less Vector Control 2) | |
| | Start Torque | 0.5Hz:150%(V/F Control, Sensor-less Vector Control 1) 0.25Hz:150%(Sensor-less Vector Control 2) 0.0Hz:180%(Close-loop Vector Control) | |
| Basic Function | Carrier Frequency | 0.7kHz ~16 kHz | |
| | Overload Capacity | 150% Rated Current 60s, 180% Rated Current 10s, 200% Rated Current 1s | |
| | Torque Boost | Auto Torque Boost, Manual Torque Boost 0.1%~30% | |
| | V/F Curve | Three Models: Straight Line; Multi-point; NTh-type V/F Curve | |
| | Acceleration and Deceleration Curve | Straight line or S curve acceleration and deceleration mode. Four kinds of acceleration and deceleration time Ramp time range: 0.0~6000.0s | |
| | DC Brake | DC brake start frequency: 0.00~Max frequency, DC brake time: 0.0s~10.0s, DC brake current: 0.0%~150% | |
| Run | Command Source | Given the control panel, control terminal, serial communication port given | |
| | Frequency Given | 9 kinds of frequency sources | |
| | Input Terminal | 7 Switch input terminals, one way to make high speed pulse input Support NPN and PNP 3 channel analog inputs, including 2 way 0-10V/0-20mA voltage and current options,a way to support -10 ~+10 V input | |
| | Output Terminal | 2 way switch output terminal, which supports a maximum road speed 100kHz pulse output 2 relay output terminals 2 analog output terminal, and optional voltage and current | |
| Featured Function | Parameters copy, parameters backup, flexible function code shown and hidden, reliable speed search, timing control, fixed-length control function and counting function, 14 group of fault records, over voltage stall, under voltage stall, power-on restart, restarting function, the motor temperature protection function, frequency control operation , high accuracy of torque limiting, Sensor-less torque control | | |
| Protection Function | Provide adozen fault protection : over-voltage, over-current,under-voltage, over-temperature, overload,etc | | |
| Environment | Operation Place | Indoors, no direct sunlight, no dust, no corrosive gases, no flammable gases, no oil mist, no water vapor, no water drop and salt, etc | |
| | Altitude | 0~2000m Derate 1 % for every 1 00m when the altitude is above 1000 meters | |
| | Ambient Temperature | -1 0 ~ 40 °C (when environment temperature is in 40 ~ 50 °C, please derating use.) | |
| Others | Installation | Wall-mounting or flang mounting | |
| | IP Grade | IP20 | |
| | Cooling Method | Forced air cooling | |

Installation dimensions

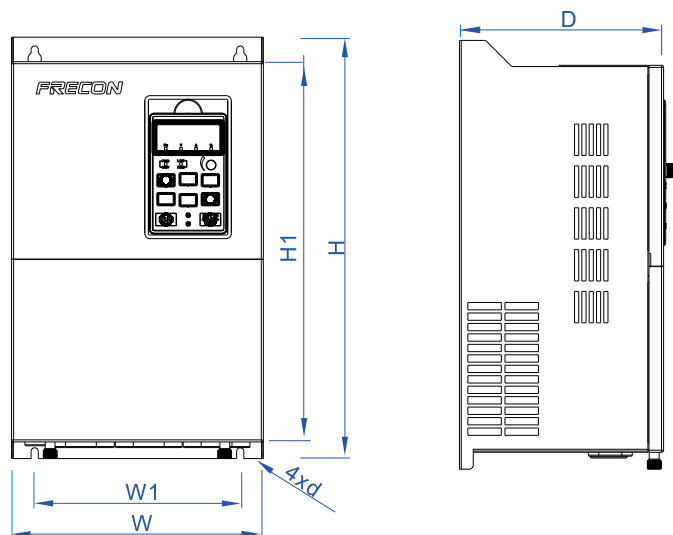
0.2-2.2kw structure diagram



4-22kw structure diagram



30-450kw structure diagram



Installation dimensions

| Model NO. | External and installation dimensions(mm) | | | | | | Weight(Kg) |
|---------------------------------------|--|-------|--------|-------|-----|-------------------|------------|
| | W | W1 | H | H1 | D | Installation Hole | |
| 3-Phase:380V, 50/60Hz Range:-15%~+30% | | | | | | | |
| FR500-4T-0.7G/1.5PB-H | 80 | 60 | 200 | 190 | 167 | 6 | 1.34 |
| FR500-4T-1.5G/2.2PB-H | | | | | | | |
| FR500-4T-2.2G/4.0PB-H | | | | | | | |
| FR500A-4T-4.0G/5.5PB-H | 116.6 | 106.6 | 186.6 | 176.6 | 175 | 4.5 | 2.5 |
| FR500A-4T-5.5G/7.5PB-H | | | | | | | |
| FR500A-4T-7.5G/011PB-H | 146 | 131 | 249 | 236 | 190 | 5.5 | 3.9 |
| FR500A-4T-011G/015PB-H | | | | | | | |
| FR500A-4T-015G/018PB-H | 198 | 183 | 300 | 287 | 195 | 5.5 | 6.2 |
| FR500A-4T-018G/022PB-H | | | | | | | |
| FR500A-4T-022G/030PB-H | | | | | | | |
| FR500A-4T-030G/037PB-H | 250 | 200 | 432 | 411 | 227 | 7 | 12.9 |
| FR500A-4T-037G/045PB-H | | | | | | | |
| FR500A-4T-045G/055P(B)-H | 300 | 200 | 485 | 466 | 226 | 7 | 15 |
| FR500A-4T-055G/075P(B)-H | | | | | | | |
| FR500A-4T-075G/090P(B)-H | 310 | 200 | 620 | 601 | 280 | 9.5 | 26 |
| FR500A-4T-090G/110P(B)-H | | | | | | | |
| FR500A-4T-110G/132P-H | 310 | 200 | 650 | 620 | 350 | 11.5 | 45 |
| FR500A-4T-132G/160P-H | | | | | | | |
| FR500A-4T-160G/185P-H | 400 | 300 | 750 | 724 | 300 | 11.5 | 68 |
| FR500A-4T-185G/200P-H | 500 | 300 | 855 | 822 | 370 | 12 | 112 |
| FR500A-4T-200G/220P-H | | | | | | | |
| FR500A-4T-220G/250P-H | | | | | | | |
| FR500A-4T-250G/280P-H | 540 | 340 | 924.5 | 896 | 380 | 12 | 120 |
| FR500A-4T-280G/315P-H | | | | | | | |
| FR500A-4T-315G/355P-H | 700 | 500 | 1025.5 | 988.5 | 400 | 14 | 148 |
| FR500A-4T-355G/400P-H | | | | | | | |
| FR500A-4T-400G/450P-H | | | | | | | |
| FR500A-4T-450G/500P-H | 940 | 700 | 1684 | - | 440 | 30 | - |
| FR500A-4T-500G/560P-H | | | | | | | |
| FR500A-4T-560G/630P-H | | | | | | | |

Note: For FR510A series model number, just need to replace FR500A to FR510A

INNOVATION • DEDICATED • SERVICE • WIN-WIN



FRECON

FRECON ELECTRIC (SHENZHEN) CO.,LTD

Add : 2nd, No.3 Zhenbao Industrial Zone, No.137 Shiyan
Road, Shiyan Street, Bao 'an, Shenzhen, China

Tel : 0755- 88605930

Fax : 0755- 88606072

E-Mail: overseas@frecon.com.cn

Web: www.frecon.com.cn



Website



FaceBook

202401(V1.7)