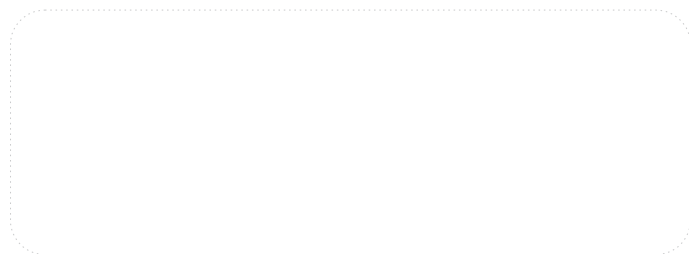


INNOVATION • DEDICATED • SERVICE • WIN-WIN



FRECON

FRECON ELECTRIC (SHENZHEN) CO.,LTD

Add : 2nd, No.3 Zhenbao Industrial Zone, No.137 Shiyan
Road, Shiyan Street, Bao'an, Shenzhen, China
Tel : 0755- 88605930
Fax : 0755- 88606072
E-Mail: overseas@frecon.com.cn
Web: www.frecon-inverter.com.cn



Website



Face Book

202404(V1.1)

FRECON



FR500H Series

Multi-pump Constant Pressure Inverter



FRECON ELECTRIC (SHENZHEN) CO.,LTD.

FR500H Series

FR500H Introduction

FR500H is an inverter which developed based on FR500 vector control inverter and specially designed to meet the demands of constant pressure water supply system.

Applications

Ideal for multi-pumps constant pressure water supply and sewage treatment of residential building and municipal projects, with the function of easy setting of power frequency pumps/variable frequency pumps/dormant pumps, and auto-switch according to system status, timing constant pressure water supply, dormancy control, self-cleaning control, timing rotation control, water level control, and pipeline pressure detection and protection.



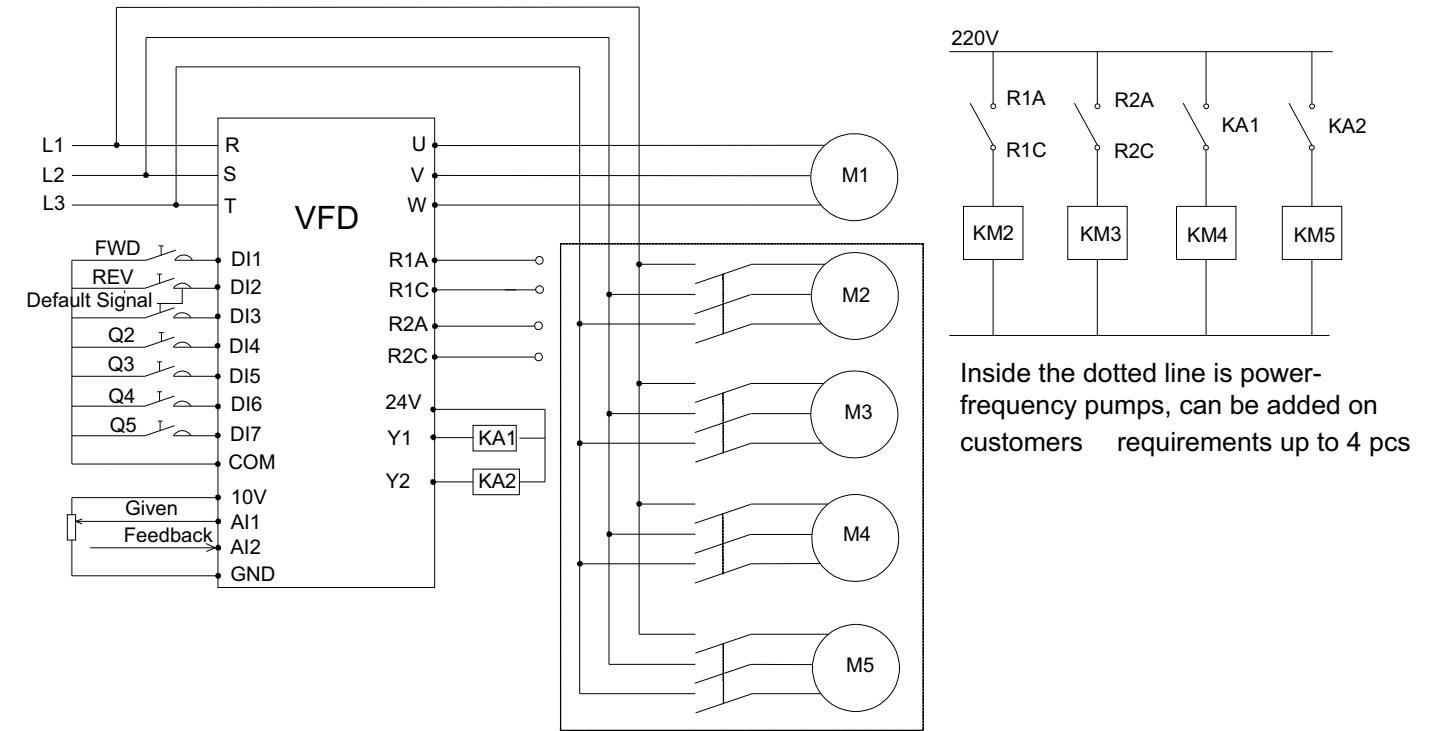
FR500H Features

- Multi-pumps control modes:
 1. Single variable frequency pump, Multi-power-frequency pump mode;
 2. Variable and power frequency 2 pump;
 3. Multi-frequency following mode;
 4. Multi-master mode.
- Support the pipe pressure filling function to prevent pressure overshoot at startup (slowly run the pipe before starting PID adjustment for pressure filling).
- Multiple rotation modes (fixed sequence, first start first stop, timing rotation) to prevent a single pump from running for a long time.
- Support dry pumping detection function to prevent the pump from burning out.
- Support cleaning function, clear the blockage of the water pump.
- Power rate: Three phase 380V 0.75kW~450kW
- Support pressure sleep and wake up function.

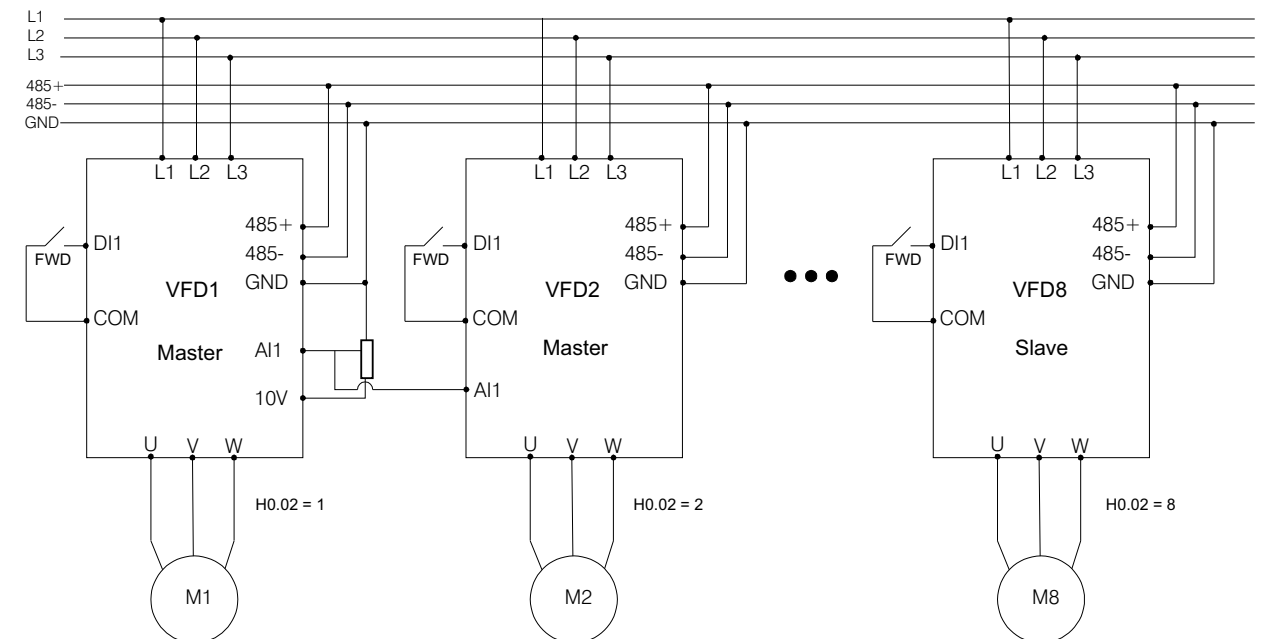
FR500H Technical Specification

FR500H Dimensions

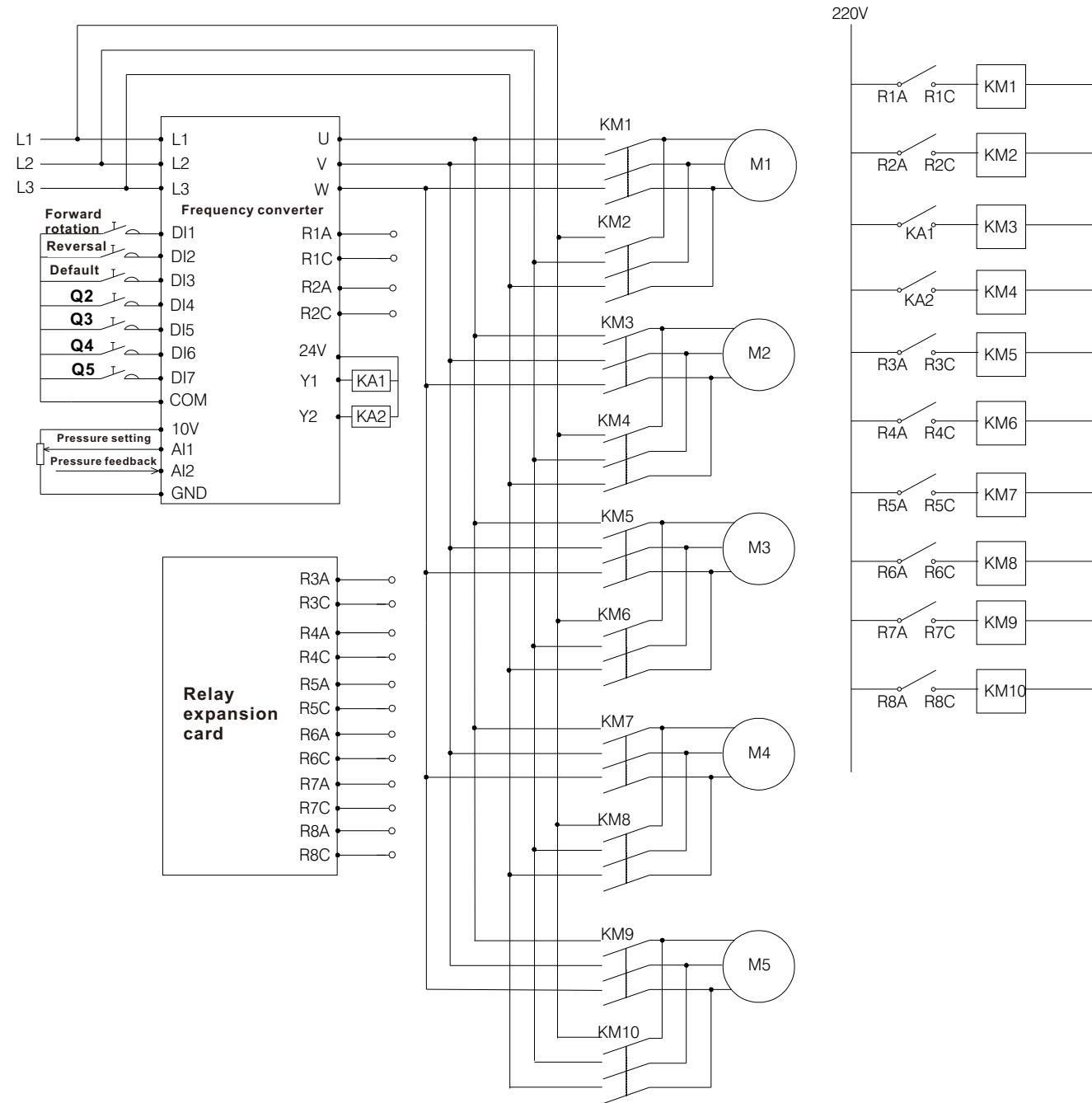
● Single variable pump mode



● Multi frequency conversion mode (multi frequency following mode and host mode)



Multivariable pump mode

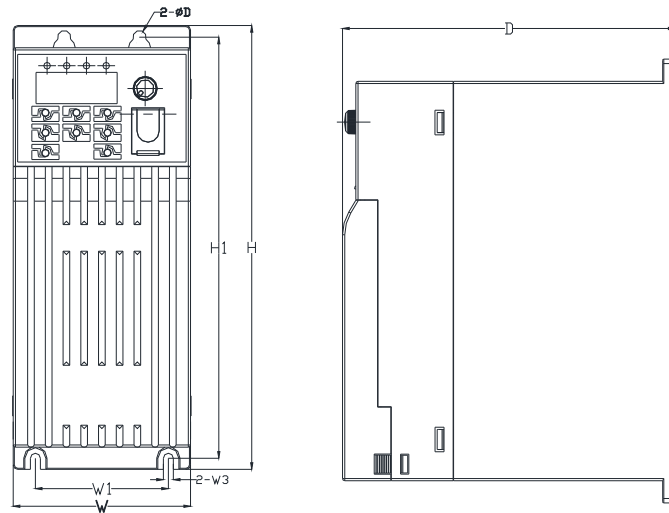


FR500H Model List

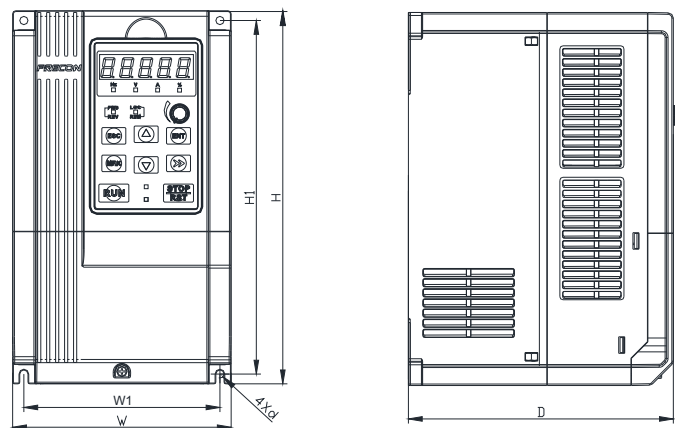
Model	Power capacity (KVA)	Rated input current (A)	Rated output current (A)	Applicable motor	
				kW	HP
AC three phase: 380V, 50 / 60 Hz range: - 15% ~ + 30%					
FR500H-4T-1.5B-H	3	5.0	4.2	1.5	2
FR500H-4T-2.2B-H	4	5.8	5.5	2.2	3
FR500H-4T-4.0B-H	6	11	9.5	3.7, 4	5
FR500H-4T-5.5B-H	8.9	14.6	13	5.5	7.5
FR500H-4T-7.5B-H	11	20.5	17	7.5	10
FR500H-4T-011B-H	17	26	25	11	15
FR500H-4T-015B-H	21	35	32	15	20
FR500H-4T-018B-H	24	38.5	37	18.5	25
FR500H-4T-022B-H	30	46.5	45	22	30
FR500H-4T-030B-H	40	62	60	30	40
FR500H-4T-037B-H	57	76	75	37	50
FR500H-4T-045(B)-H	69	92	91	45	60
FR500H-4T-055(B)-H	85	113	112	55	70
FR500H-4T-075(B)-H	114	157	150	75	100
FR500H-4T-090(B)-H	134	186	176	90	125
FR500H-4T-110-H	160	220	210	110	150
FR500H-4T-132-H	192	260	253	132	175
FR500H-4T-160-H	231	310	304	160	210
FR500H-4T-185-H	240	355	350	185	250
FR500H-4T-200-H	250	382	377	200	260
FR500H-4T-220-H	280	430	426	220	300
FR500H-4T-250-H	355	475	470	250	330
FR500H-4T-280-H	396	535	520	280	370
FR500H-4T-315-H	445	610	600	315	420
FR500H-4T-355-H	500	665	650	355	470
FR500H-4T-400-H	565	785	725	400	530
FR500H-4T-450-H	623	865	800	450	600

Dimensions

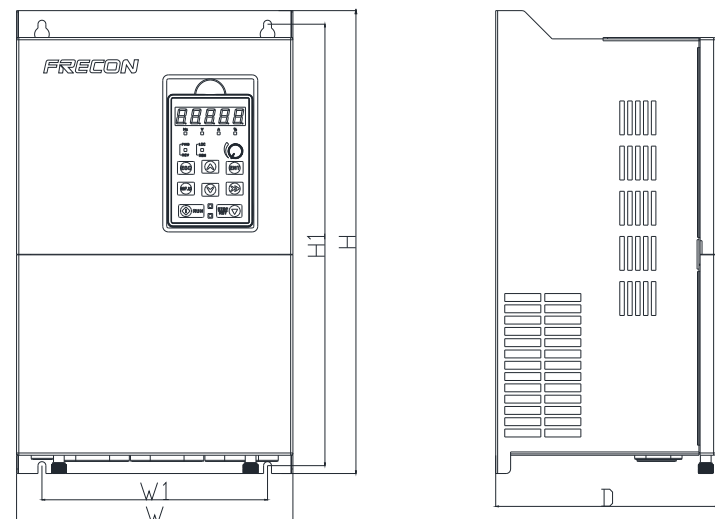
• 1.5-2.2kW Installation dimensions



• 4-22kW Installation dimensions



• 30-450kW Installation dimensions



Mounting dimensions and weight

Model NO.	External and installation dimensions (mm)						Weight (Kg)
	W	W1	H	H1	D	Mounting Hole Diameter	
Three phase: 380V, 50 / 60Hz range: - 15% ~ + 30%							
FR500H-4T-1.5B-H	80	60	200	190	150	6	1.25
FR500H-4T-2.2B-H							
FR500H-4T-4.0B-H	116.6	106.6	186.6	176.6	175	4.5	2.5
FR500H-4T-5.5B-H							
FR500H-4T-7.5B-H							
FR500H-4T-011B-H	146	131	249	236	177	5.5	3.9
FR500H-4T-015B-H							
FR500H-4T-018B-H	198	183	300	287	185	5.5	6.2
FR500H-4T-022B-H							
FR500H-4T-030B-H							
FR500H-4T-037B-H	245	200	410	391	200	7	11.8
FR500H-4T-045-H							
FR500H-4T-055-H							
FR500H-4T-075-H	275	200	470	451	215	7	15
FR500H-4T-090-H							
FR500H-4T-110-H							
FR500H-4T-132-H	310	200	620	601	262	9.5	26
FR500H-4T-160-H							
FR500H-4T-185-H	400	300	750	724	300	11.5	68
FR500H-4T-200-H							
FR500H-4T-220-H							
FR500H-4T-250-H	500	300	855	822	320	12	112
FR500H-4T-280-H							
FR500H-4T-315-H							
FR500H-4T-355-H	540	340	924.5	896	380	12	120
FR500H-4T-400-H							
FR500H-4T-450-H	620	400	996	963	390	12	133
FR500H-4T-450-H	700	500	1025.5	988.5	390	14	195