

## Inverter technical parameters

Inverter Model	Power Capacity (KVA)	Rated Input Current (A)	Rated Output Current (A)	Adapter motor	
				kW	HP
<b>Single Phase Power : 220V, 50/60HZ Range: -15%~+20%</b>					
FR580-2S-0.4-H	1.0	6.5	2.5	0.37	0.5
FR580-2S-0.7-H	1.5	9.3	4.2	0.75	1.0
FR580-2S-1.1-H	1.1	11	5.5	1.1	1.5
FR580-2S-1.5-H	3.0	15.7	7.5	1.5	2
FR580-2S-2.2-H	4.0	24	9.5	2.2	3
FR580-2S-3.0-H	6.0	30	17	4.0	5
<b>Three Phase Power : 380V, 50/60HZ Range: -15%~+30%</b>					
FR580-4T-2.2-H	4.0	5.8	5.5	2.2	3
FR580-4T-4.0-H	6.0	11	9.5	4	5
FR580-4T-5.5-H	8.9	14.6	13	5.5	7.5
FR580-4T-7.5-H	11	20.5	17	7.5	10
FR580-4T-011-H	17	26	25	11	15
FR580-4T-015-H	21	35	32	15	20
FR580-4T-018-H	24	38.5	37	18.5	25
FR580-4T-022-H	30	46.5	45	22	30
FR580-4T-030-H	40	62	60	30	40
FR580-4T-037-H	57	76	75	37	50
FR580-4T-045-H	69	92	91	45	60
FR580-4T-055-H	85	113	112	55	70
FR580-4T-075-H	114	157	150	75	100
FR580-4T-090-H	134	186	176	90	125
FR580-4T-110-H	160	220	210	110	150

# FRECON



## FR580 Series High Protection Inverter



## FRECON

FRECON ELECTRIC (SHENZHEN) CO.,LTD

Add : 2nd, No.3 Zhenbao Industrial Zone, No.137 Shiyan Road, Shiyan Street, Bao'an, Shenzhen, China

Tel : 0755- 88605930

Fax : 0755- 88606072

E-Mail: overseas@frecon.com.cn

Web: www.frecon-inverter.com.cn



Website



Face Book

202404(V1.1)



FRECON ELECTRIC (SHENZHEN) CO.,LTD.

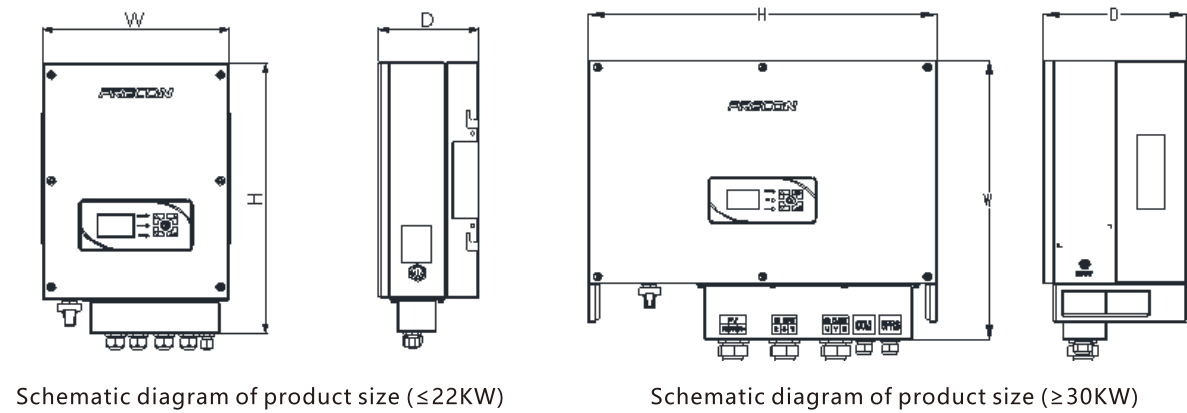
**System Diagram**



**Features**

- Widely used for asynchronous motor, synchronous motor, reluctance motor
- Adopt natural cooling method, low noise (Up to 7.5KW)
- IP65 design, outdoor installation model
- Support 4G/Wifi module for remote monitor and control(optional)
- Operation temperature range: -25~60 degrees
- It has perfect overcurrent, overvoltage, output phase loss, short circuit, overheat and other protection functions

**Inverter Size**



Model	External size (mm)			N.W (kg)
	W	H	D	
FR580-2S-0.4-H	280	440	150	11.4
FR580-2S-0.7-H				
FR580-2S-1.5-H				
FR580-2S-2.2-H				
FR580-2S-3.0-H				
FR580-4T-2.2-H				
FR580-4T-4.0-H				
FR580-4T-5.5-H	340	538	186	17.5
FR580-4T-7.5-H				
FR580-4T-011-H				
FR580-4T-015-H				
FR580-4T-018-H				
FR580-4T-022-H	500	550	225	35
FR580-4T-030-H				
FR580-4T-037-H				
FR580-4T-045-H				
FR580-4T-055-H				
FR580-4T-075-H				
FR580-4T-090-H	660	700	313	49
FR580-4T-110-H				