

**FRECON**

**SP200**

Single Phase Off-grid Solar Inverter



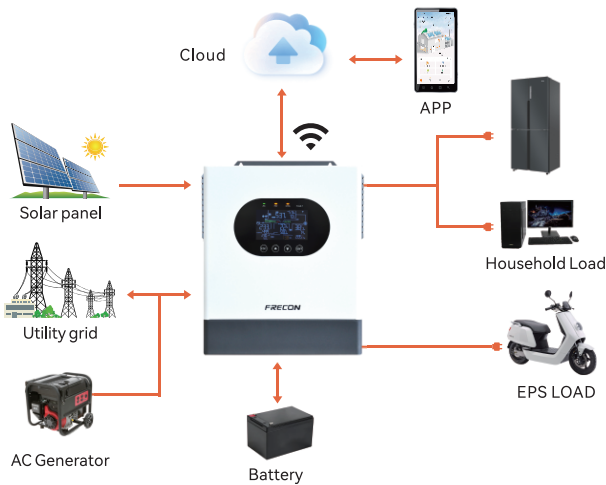
FRECON ELECTRIC (SHENZHEN) CO.,LTD

## SP200 Single Phase Off-grid Solar Inverter

### Features

- Dual output terminals
- Max. PV input voltage up to 500 V
- Configurable priority between grid and PV
- Supports lithium battery activation function
- Built-in Wi-Fi module for mobile APP monitoring
- Support PV feed in to grid (but subject to local policies)
- Supports parallel operation of up to 9 units; three or more units can form a three-phase 380 VAC output

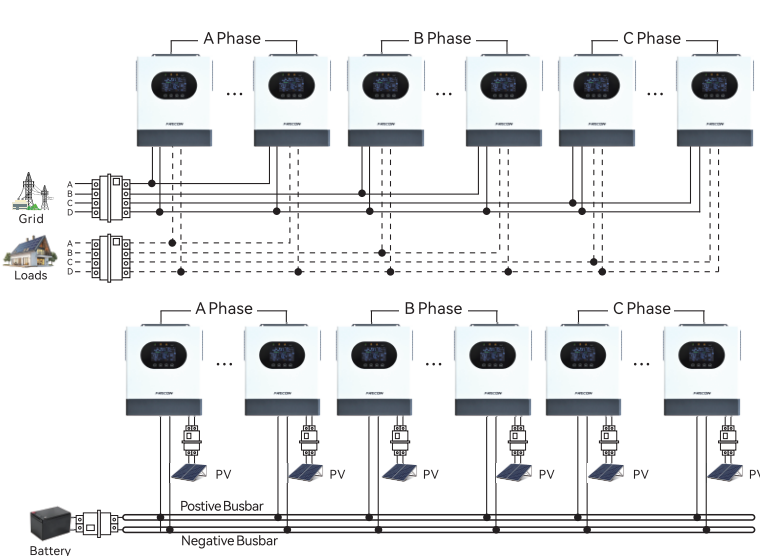
### Solar system connection



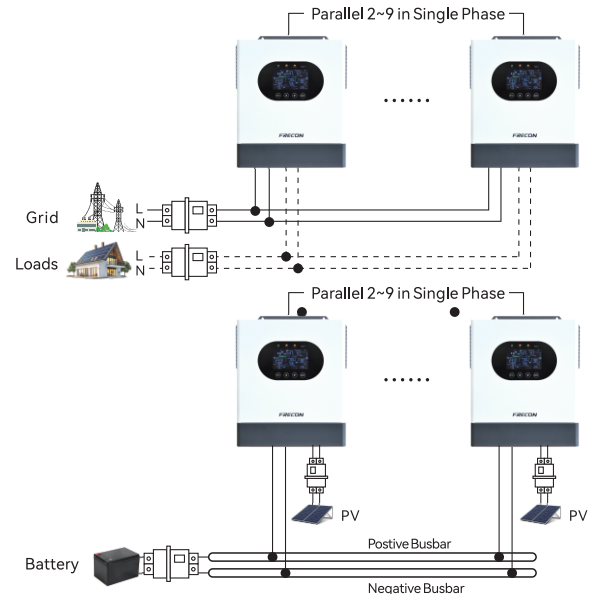
### Support operation without battery



### Three-Phase Parallel Output System



### Single-Phase Parallel Output System



Model	SP200-6500-48	SP200-12000-48
<b>Battery</b>		
Battery Voltage	48VDC	
Battery Type	Lithium/Lead-acid Battery	
Max.PV Charge Current	120A	160A
Max.AC Charge Current	120A	160A
Max. Hybrid Charge Current	120A	160A
<b>AC Output</b>		
Rated Capacity	6500VA/6500W	12000VA/12000W
Surge Power	12000VA	24000VA
Wave Form	Pure Sine Wave	
Voltage	208VAC/220VAC/230VAC/240VAC	220VAC/230VAC/240VAC
No.Of AC Output	2	
Frequency	50 Hz/60 Hz	
Switch Time	10 ms(APP/UPS Mode)/20 ms(GEN Mode)	
Max.Efficiency(Battery Mode)	94%	
Parallel Quantity	1~9 Units (3 or more units in parallel can form a three-phase output)	
<b>Solar Input</b>		
No.Of MPPT	1	2
Max. Input Power	9000W	15000W
Max.Open Circuit Voltage	500VDC	
Max.Input Current	27A	22.5A+22.5A/Single PV Input 27A
MPPT Voltage Range	60~450VDC	
PV Start-up Voltage	80VDC	
<b>AC Input</b>		
Rated Input Voltage	230VAC	
Input Voltage Range	90~280VAC(APP/GEN Mode)/170~264VAC(UPS Mode)	
Input Frequency Range	50Hz/60Hz (Auto Adaptive)	
<b>General Data</b>		
HMI	LCD	
Interface	BMS(CAN/RS485)/RS232 /Parallel interface	
External Module	Wi-Fi	
Ingress Protection	IP21	
Operation Temperature	-10~60°C	
Storage Temperature	-15~60°C	
Relative Humidity	5%~95%(Non-condensing)	
Max.Operation Altitude	4000m( Derating above 2000m )	
Certificate	RoHS/CE	
Dimensions(H*W*D)	411*343*134mm	516*422*134mm
Net Weight	8.3kg	14.6kg

**FRECON**

**FRECON ELECTRIC (SHENZHEN) CO., LTD**

Add: F15, Building 3, Huidongsheng Industrial Park, 1028  
Guangqiao Road, Guangming District, Shenzhen

Tel: 0755-88605930

E-Mail: [overseas@frecon.com.cn](mailto:overseas@frecon.com.cn)

[www.frecon-inverter.com](http://www.frecon-inverter.com)



Website



Facebook